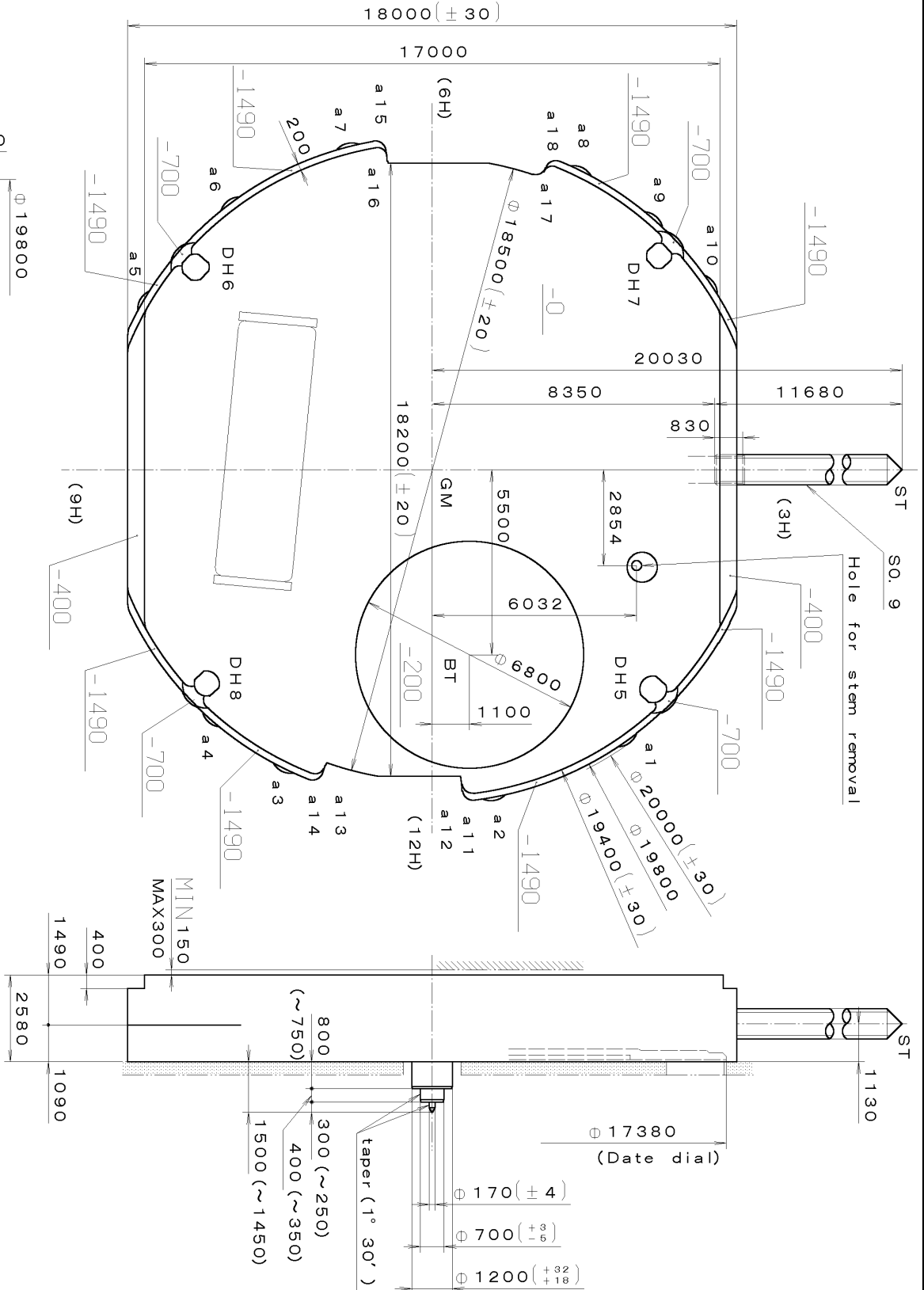


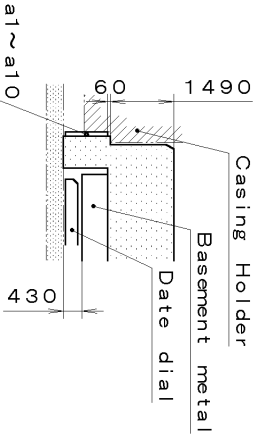
DH5~DH6= 18437 (±20)
DH7~DH8= 18450 (±20)

Coordinates

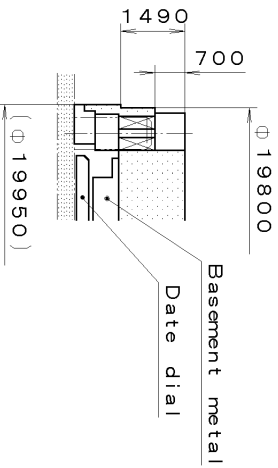
Mark	X	Y	R
GM	0	0	—
DH5	6523	6523	—
DH6	-6006	-7002	—
DH7	-6341	6700	—
DH8	6370	-6673	—
a1	7640	5476	600
a2	9239	1734	600
a3	8422	-4175	600
a4	7054	-6213	600
a5	-4752	-8110	600
a6	-7494	-5674	600
a7	-9095	-2374	600
a8	-8422	4175	600
a9	-7054	6213	600
a10	-5206	7827	600
a11	9504	1207	320
a12	9200	556	300
a13	8895	-2882	300
a14	8901	-3543	320
a15	-9431	-1683	320
a16	-9200	-1023	300
a17	-9047	3059	300
a18	-8858	3650	320



Section a1~a10



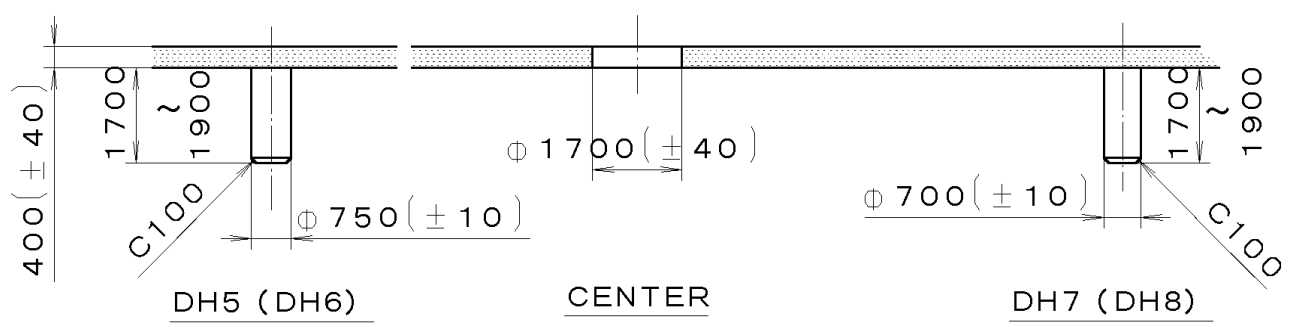
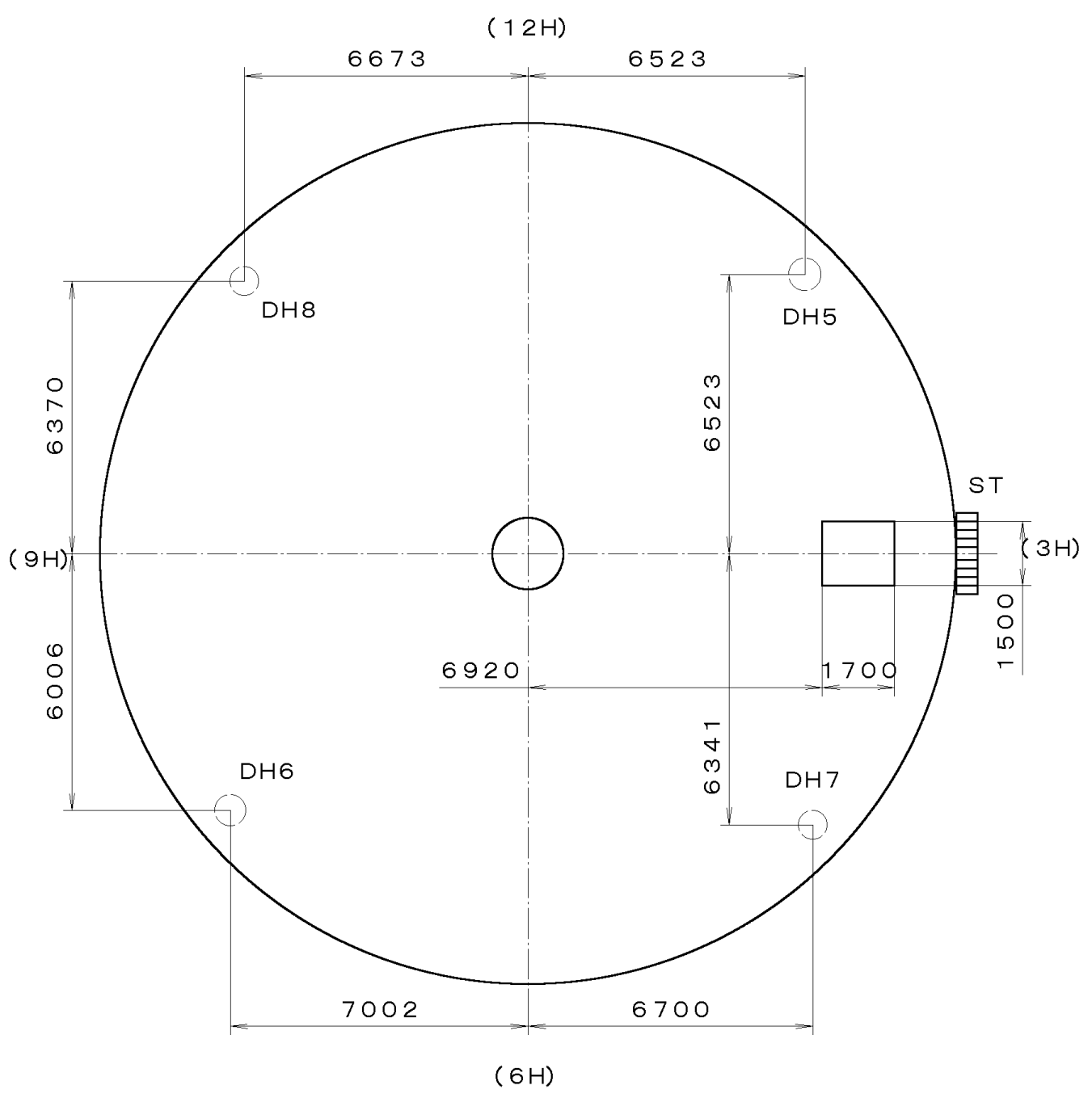
Section DH5~DH8



Material	Quantity	Cal. No. :	1N12
Heat Treatment	Unit	Scale	1/1000 mm
Hardness	Scale	Date	8:1
Plating	Drawn	Checked	T. Hiruta
	Approved	Name:	Frame for Case
		Drawing No. :	TN12C0000
General Tolerances		CITIZEN WATCH CO., LTD.	
Dimensions		TOKYO, JAPAN	
Angles			

This drawing is provisional and subject to our reconfirmation and/or revision without notice.

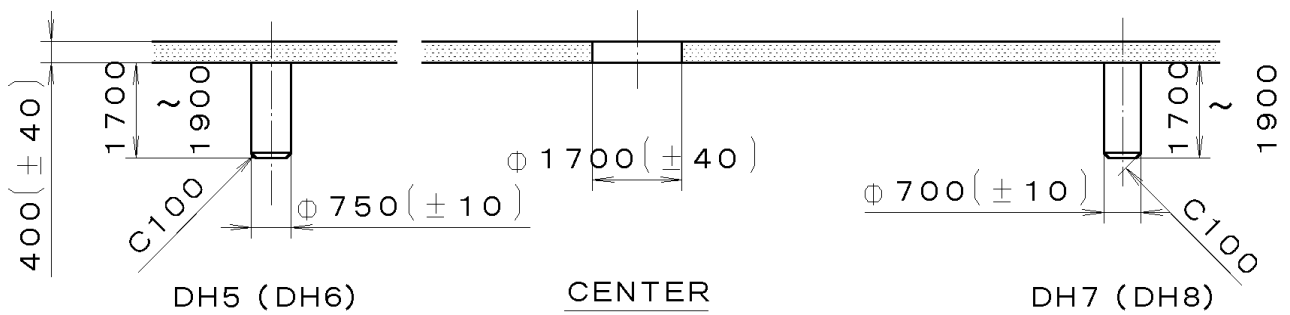
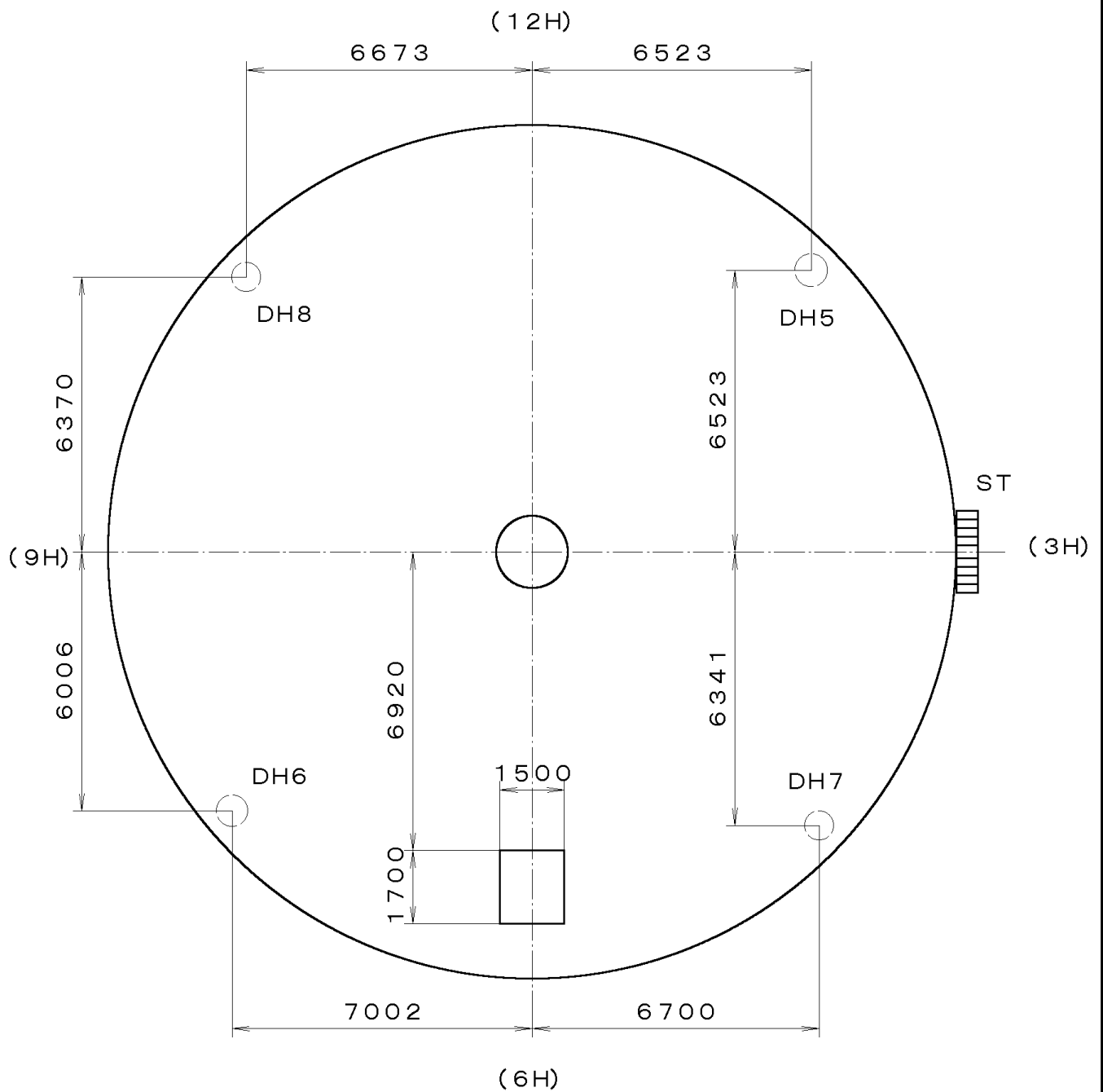
*** T I P W 1N12-10A (01) *** (2100 1121) 00-06-14



7		Quantity		Cal. No. :	1N12-10A
6		Unit	1/1000 mm	Parts:	
5		Scale	7:1	Name:	
4		Date		Indications for Dial	
3		Drawn		Drawing No. :	1N12D000
2		Checked	T. Hiruta		
1		Approved			
Material					
Heat Treatment		General Tolerances		CITIZEN WATCH CO.,LTD. TOKYO, JAPAN	
Hardness		Dimensions			
Plating		Angles			

This drawing is provisional and subject to our reconfirmation and/or revision without notice.

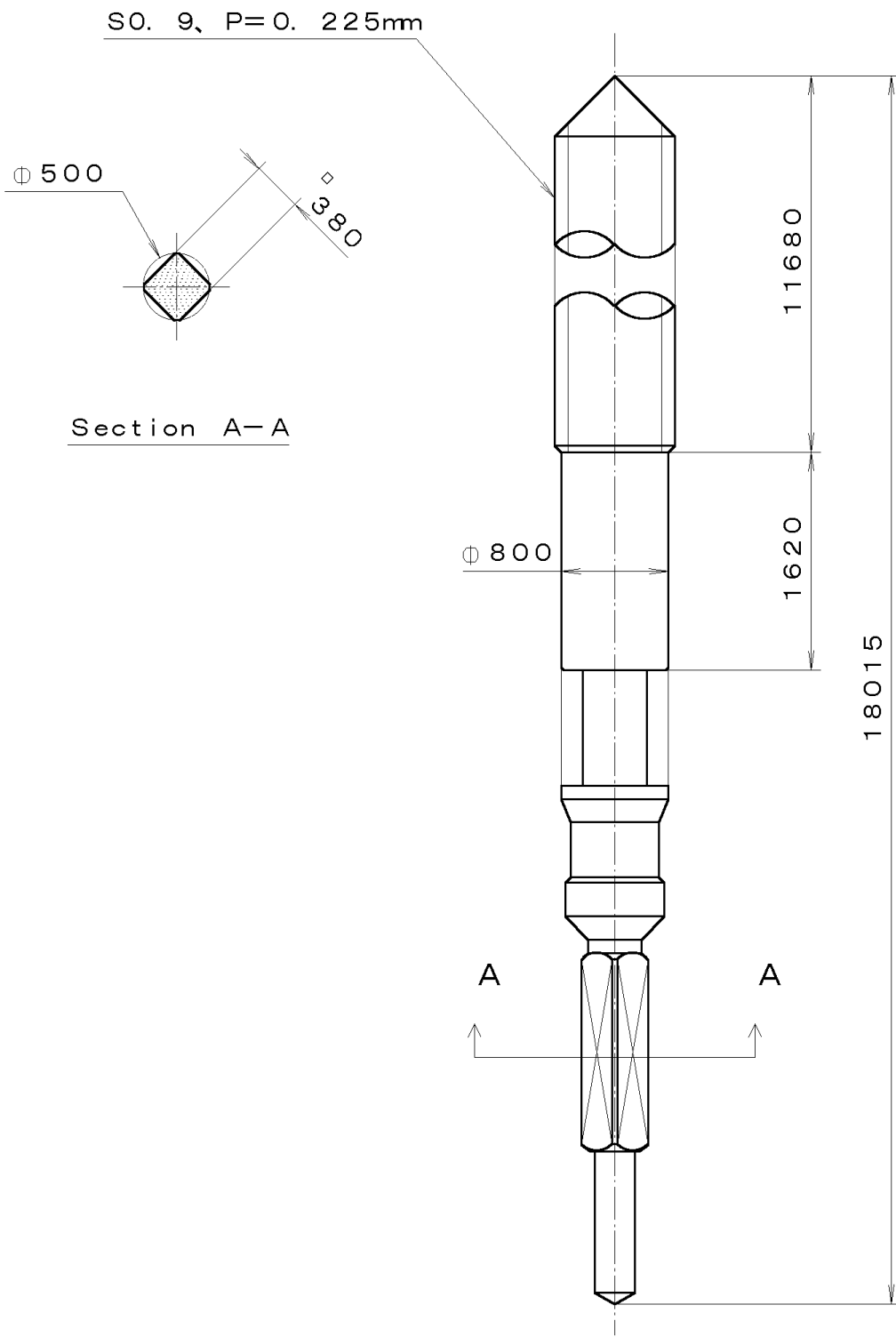
*** T I P W 1N12-10X (01) *** (2100 1121) 00-06-14



7		Quantity		Cal. No. :	1N12-10X
6		Unit	1/1000 mm	Parts:	
5		Scale	7:1	Name:	
4		Date		Indications for Dial	
3		Drawn		Drawing No. :	1N12D010
2		Checked	T. Hiruta		
1		Approved			
Material					
Heat Treatment		General Tolerances		CITIZEN WATCH CO.,LTD. TOKYO, JAPAN	
Hardness		Dimensions			
Plating		Angles			

This drawing is provisional and subject to our reconfirmation and/or revision without notice.

065-505 (01) *** (2100 1121 A-01 A-01) 00-06-22



7			Quantity		Cal. No. :
6			Unit	1/1000 mm	
5			Scale	20:1	Parts:
4			Date		065-505
3			Drawn		Name:
2			Checked	T. Hiruta	SETTING STEM
1			Approved		Drawing No. : 5050S000
Material			General Tolerances		CITIZEN WATCH CO.,LTD. TOKYO, JAPAN
Heat Treatment			Dimensions		
Hardness			Angles		
Plating					